

G-8396

Topaz Collection

3-3/4" Octagonal Showerhead with Shower Arm

GRAFF®



Product Features

- 5" shower arm and flange
- Octagon shape with 40 spray openings
- Metal ball-joint allows for easy showerhead angle adjustment
- Flange design complements M-Series traditional trim plates
- Showerhead flow rate ≤ 1.8 max gpm

Available Finishes

- Polished Chrome
G-8396-PC
- Polished Nickel
G-8396-PN
- Olive Bronze
G-8396-OB
- Steelnox
G-8396-SN
- Vintage Brushed Brass*
G-8396-VBB*
- Gold*
G-8396-AU*
- Brushed Gold*
G-8396-BAU*

* Special order finish- call for availability

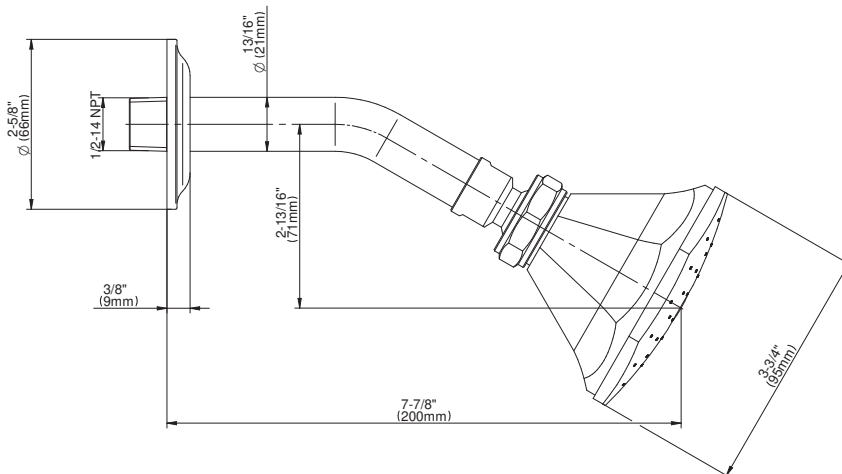
Code Compliance

- CALGreen

Warranty

- Limited lifetime warranty

For complete warranty information go to <https://www.graff-faucets.com/en/info/faqs>



The measurements shown are for reference only. Products and specifications shown are subject to change without notice. Revised 1/2019

www.graff-designs.com | phone: 800-954-4723